

[Info]

PcNo=Y00B5881

PcName=3TNA72L-UBA/UBB

JpnUse=1

JpnSec1=fGf`fWf`

JpnSec2=-§ -

JpnSec3=TNA

JpnPreface=0

EngUse=1

EngSec1=ENGINE

EngSec2=SMALL VERTICAL (B)

EngSec3=TNA

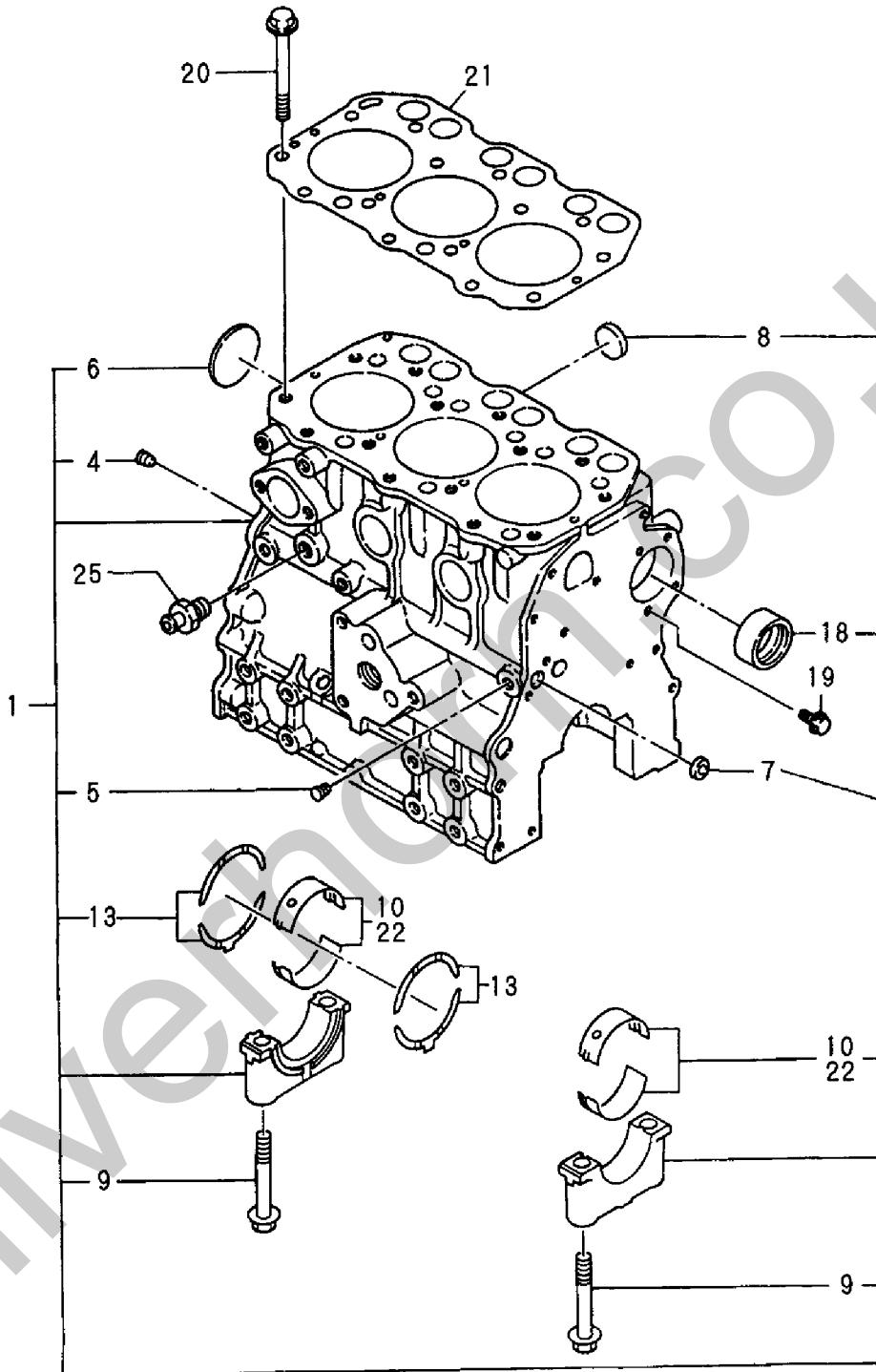
EngPreface=0

Silverhorn.CO.UK

1,1,,719610-01560,, "BLOCK ASSY, CYLINDER",1,1,,,,,,,,,,,,,
4,3,,119600-01050,, "PLUG PT1/4",1,1,,,,,,,,,,,,,
5,3,,23871-010000,, "PLUG PT1/8,SCREW",1,1,,,,,,,,,,,,,
6,3,,27231-450000,, "PLUG 45",1,1,,,,,,,,,,,,,
7,3,,27241-120000,, "PLUG 12",1,1,,,,,,,,,,,,,
8,3,,27241-300000,, "PLUG 30",6,6,,,,,,,,,,,,,
9,2,,119620-02020,, BOLT,8,8,,,,,,,,,,,,,
10,2,,719620-02800,, "MAIN BEARING",4,4,,,,,,,,,,,,,
10-1,2,,119620-02800,, "MAIN BEARING",4,4,,,,,N,, "FROM 1ST",,"FROM 1ST",,,,,,
13,2,,719620-02930,, "BEARING, THRUST",2,2,,,,,,,,,,,,,
18,2,,119620-02410,, "BUSH, CAMSHAFT",1,1,,,,,,,,,,,,,
18-1,2,,119624-02410,, BUSH,1,1,,,,,R,, "E/# C8483",,"E/# D3532",,,,,,
19,1,,26106-060122,, "BOLT M 6X 12 PLATED",2,2,,,,,,,,,,,,,
20,1,,119620-01200,, "BOLT, CYLINDER HEAD",14,14,,,,,,,,,,,,,
21,1,,119620-01343,, "GASKET, CYL.HEAD",1,1,,,,,A,,,,,,,,,,,,,
22,1,,719620-02870,, "MAIN BEARING US=0.25",4,4,,,,,1,,,,,,,,,,,,,
22-1,1,,119620-02870,, "MAIN BEARING US=0.25",4,4,,,,,N,1,, "FROM 1ST",,"FROM
1ST",,,,,,
25,1,,121550-49111,, "JOINT PT1/4",1,1,,,,,,,,,,,,,

Silverhorn.CO.UK

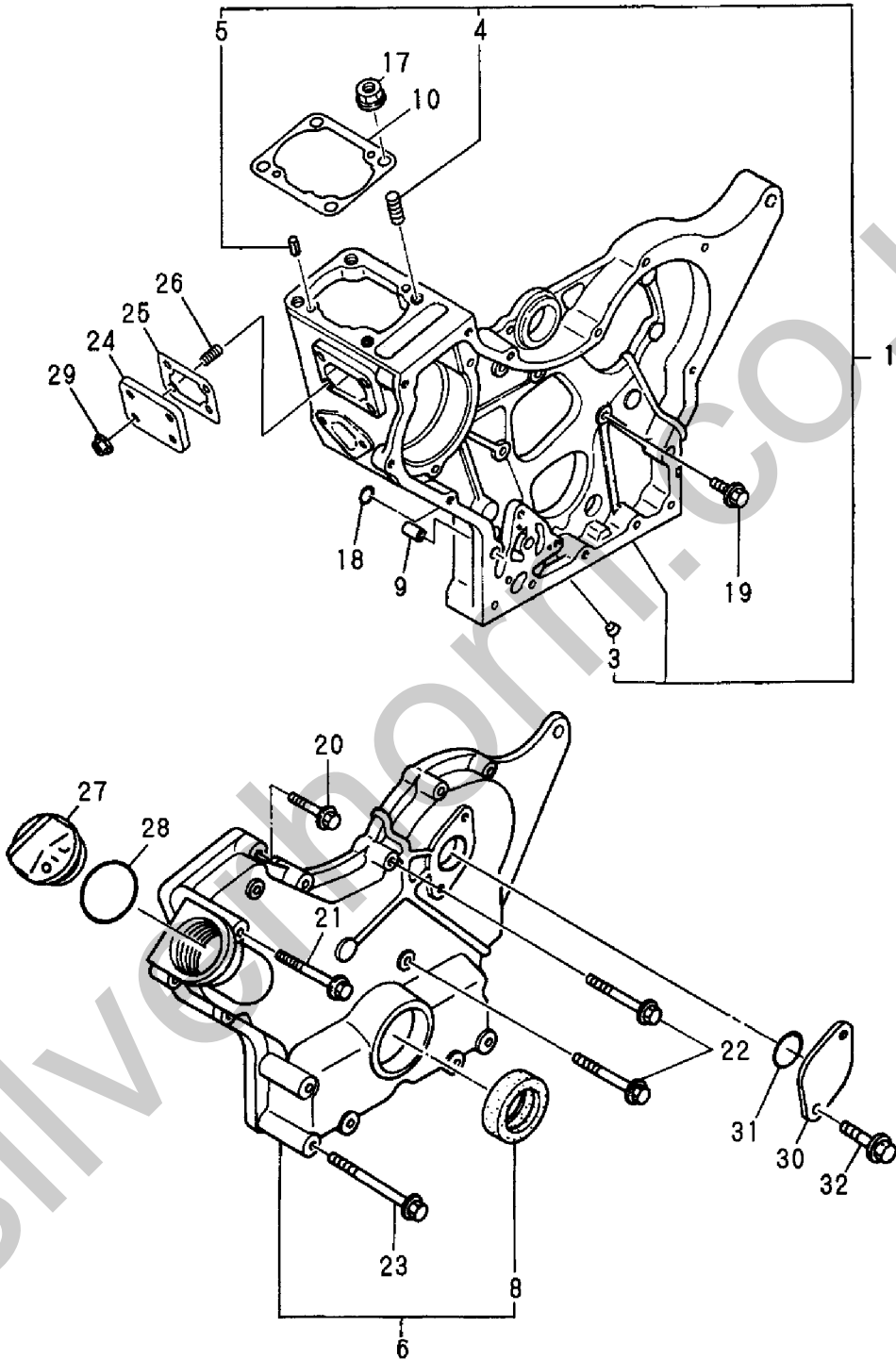
Fig. 1 シリンダブロック
CYLINDER BLOCK



1,1,,119610-01490,, "HOUSING ASSY, GEAR",1,1,,,,,,,,,,,,,
 3,2,,119660-01510,, "PLUG 10X14",1,1,,,,,,,,,,,,,
 4,2,,121450-01560,, "STUD M 8X 22",4,4,,,,,,,,,,,,,
 5,2,,22351-040010,, "SPRING PIN 4X10",2,2,,,,,,,,,,,,,
 6,1,,119610-01590,, "COVER ASSY, HOUSING",1,1,,,,,,,,,,,,,
 8,2,,119620-01800,, "SEAL HTC456208, OIL",1,1,,,,,,,,,,,,,
 9,1,,119660-01911,, "PIPE, KNOCK",4,4,,,,,,,,,,,,,
 10,1,,119623-01950,, "SHIM PACK",1,1,,,,,,,,,,,,,
 17,1,,194990-22050,, "NUT W/WASHER 8",4,4,,,,,,,,,,,,,
 18,1,,24311-000120,, "O-RING 1A P 12.0",2,2,,,,,,,,,,,,,
 19,1,,26106-060162,, "BOLT M 6X 16 PLATED",7,7,,,,,,,,,,,,,
 20,1,,26106-060302,, "BOLT M 6X 30 PLATED",8,8,,,,,,,,,,,,,
 21,1,,26106-060602,, "BOLT M 6X 60 PLATED",1,1,,,,,,,,,,,,,
 22,1,,26106-060602,, "BOLT M 6X 60 PLATED",3,3,,,,,,,,,,,,,
 23,1,,26106-060802,, "BOLT M 6X 80 PLATED",6,6,,,,,,,,,,,,,
 24,1,,119660-01551,, "COVER",1,1,,,,,,,,,,,,,
 25,1,,119660-01562,, "GASKET, (NON-ASB.)",1,1,,,,,,,,,,,,,
 26,1,,119660-01570,, "STUD M6X12",4,4,,,,,,,,,,,,,
 27,1,,124160-01751,, "CAP, LUB.OIL SUPPLY",1,1,,,,,,,,,,,,,
 28,1,,24311-000320,, "O-RING 1A P-32.0",1,1,,,,,,,,,,,,,
 29,1,,26366-060002,, "NUT M 6",4,4,,,,,,,,,,,,,
 30,1,,121023-01550,, "COVER, BLIND",1,1,,,,,,,,,,,,,
 31,1,,24341-000240,, "O-RING 1A S-24.0",1,1,,,,,,,,,,,,,
 32,1,,26106-060182,, "BOLT M 6X 18 PLATED",2,2,,,,,,,,,,,,,
 32-1,1,,26106-060162,, "BOLT M 6X 16 PLATED",2,2,,,,,R,, EXXX,, EXXX,,,,,



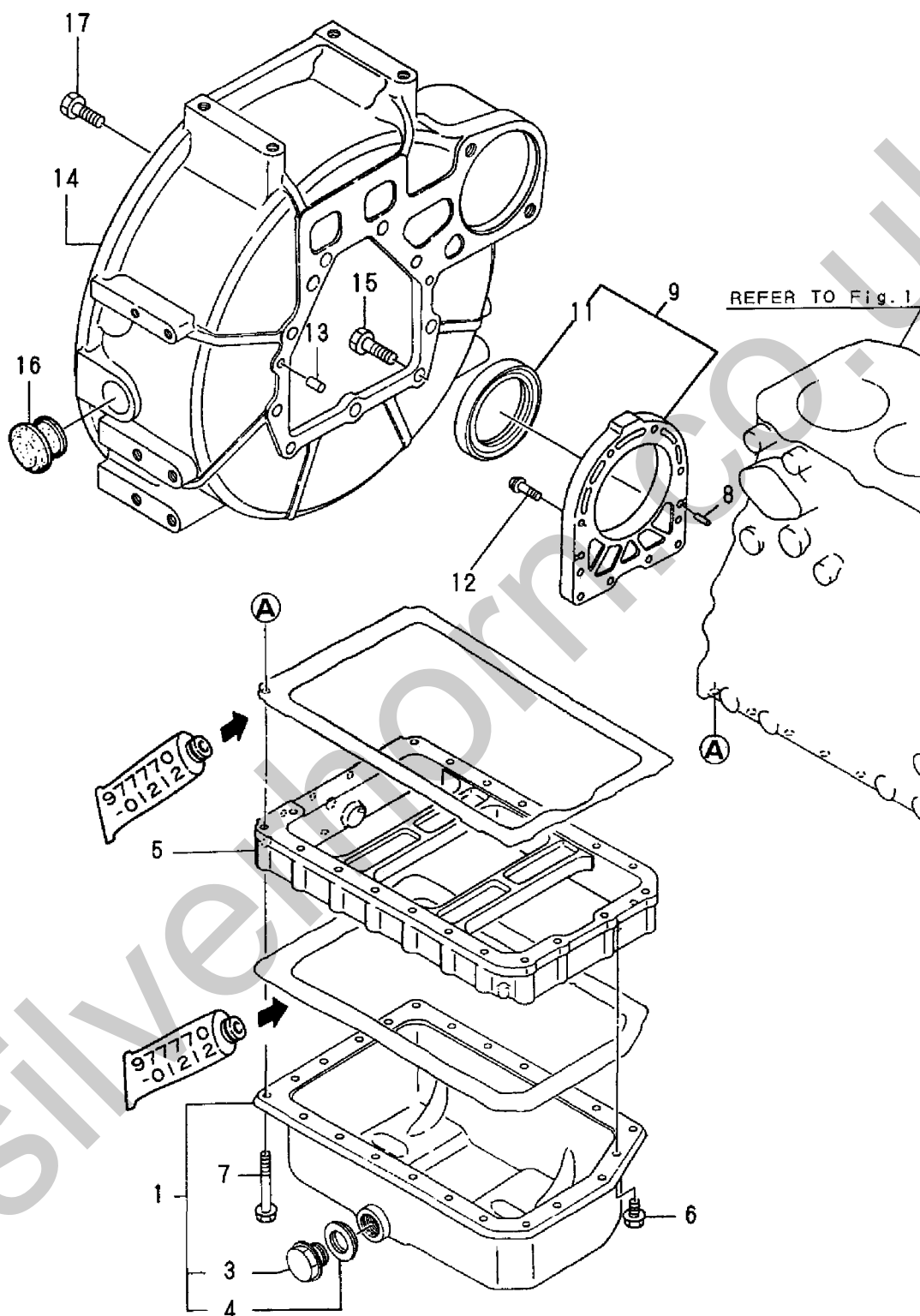
Fig. 2 ギヤケース
GEAR HOUSING



1,1,,719631-01540,, "SUMP ASSY, LUB. OIL",1,1,,,,,,,,,,,,,
3,2,,119640-01640,, "DRAIN PLUG M22",1,1,,,,,,,,,,,,,
4,2,,22190-220002,, "SEAL WASHER 22S",1,1,,,,,A,,,,,
5,1,,119600-01722,, "SPACER, OIL SUMP",1,1,,,,,,,,,,,,,
6,1,,26106-060122,, "BOLT M 6X 12 PLATED",3,3,,,,,,,,,,,,,
7,1,,26106-060452,, "BOLT M 6X 45 PLATED",20,20,,,,,,,,,,,,,
8,1,,119620-01620,, "PARALLEL PIN 6X10",2,2,,,,,,,,,,,,,
9,1,,119660-01640,, "CASE ASSY, OIL SEAL",1,1,,,,,,,,,,,,,
11,2,,124085-02220,, "SEAL, OIL",1,1,,,,,,,,,,,,,
12,1,,26106-060222,, "BOLT M 6X 22 PLATED",10,10,,,,,,,,,,,,,
13,1,,129100-01580,, "PARALLEL PIN 8X16",2,2,,,,,,,,,,,,,
14,1,,119600-01600,, "HOUSING, FLYWHEEL",1,1,,,,,,,,,,,,,
15,1,,121120-01620,, "BOLT M 10X 28",3,3,,,,,,,,,,,,,
16,1,,119620-01750,, "CAP, FLYWHEEL COVER",1,1,,,,,,,,,,,,,
17,1,,26206-100252,, "BOLT M10X25",6,6,,,,,,,,,,,,,

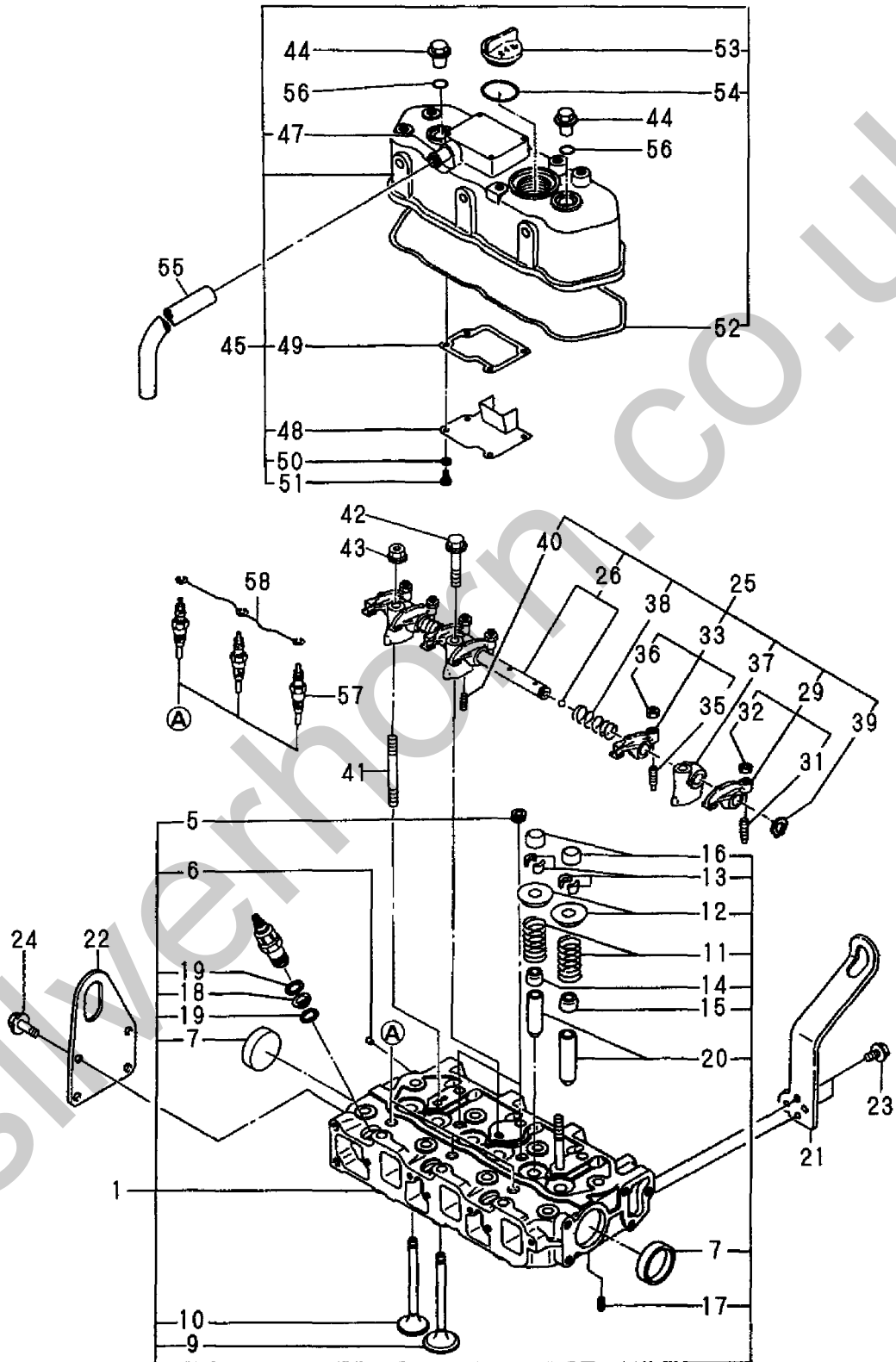
Silverhorn.CO.UK

Fig. 3 フライホイールハウジング&オイルパン
FLYWHEEL HOUSING & LUB. OIL SUMP



1,1,,119629-11700,, "HEAD ASSY, CYLINDER",1,1,,,,,,,,,,,,,
5,3,,23871-020000,, "PLUG PT1/4,SCREW",2,2,,,,,,,,,,,,,
6,3,,27221-050080,, "PLUG 5X 8",1,1,,,,,,,,,,,,,
7,3,,27241-400000,, "PLUG 40",2,2,,,,,,,,,,,,,
9,2,,119620-11100,, "VALVE, SUCTION",3,3,,,,,,,,,,,,,
10,2,,119620-11110,, "VALVE, EXHAUST",3,3,,,,,,,,,,,,,
11,2,,119620-11120,, "SPRING, VALVE",6,6,,,,,,,,,,,,,
12,2,,119620-11180,, "RETAINER, SPRING",6,6,,,,,,,,,,,,,
13,2,,27310-070000,, "COTTER 7",6,6,,,,,,,,,,,,,
14,2,,124950-11340,, "SEAL, VALVE STEM",3,3,,,,,,,,,,,,,
15,2,,124160-11340,, "SEAL, VALVE STEM",3,3,,,,,,,,,,,,,
16,2,,104211-11370,, "CAP, VALVE",6,6,,,,,,,,,,,,,
17,2,,22351-060012,, "SPRING PIN 6X12",2,2,,,,,,,,,,,,,
18,2,,119600-11450,, "PROTECTOR, NOZZLE",3,3,,,,,,,,,,,,,
19,2,,119600-11460,, "GASKET, NOZZLE",6,6,,,,,,,,,,,,,
20,1,,119620-11801,, "GUIDE, VALVE",6,6,,,,,1,,,,,,,,,,,,,
21,1,,129403-07900,, "LIFTER, ENGINE",1,1,,,,,,,,,,,,,
22,1,,119632-07900,, "LIFTER, ENGINE",1,1,,,,,,,,,,,,,
23,1,,26106-080142,, "BOLT M 8X 14 PLATED",2,2,,,,,,,,,,,,,
24,1,,26106-060122,, "BOLT M 6X 12 PLATED",4,4,,,,,,,,,,,,,
25,1,,119620-11200,, "SUPPORT ASSY, ARM",1,1,,,,,,,,,,,,,
26,2,,119620-11240,, "SHAFT ASSY, ROCKER",1,1,,,,,,,,,,,,,
29,2,,719620-11650,, "ARM ASSY, ROCKER",3,3,,,,,,,,,,,,,
31,3,,105010-11230,, "SCREW, VALVE",3,3,,,,,,,,,,,,,
32,3,,26756-060002,, "LOCK NUT 6",3,3,,,,,,,,,,,,,
32-1,3,,26856-060002,, "NUT M 6",3,3,,,,,N,, "E/# C8483", "E/# D3532",,,,,,
33,2,,719620-11660,, "ARM ASSY, ROCKER",3,3,,,,,,,,,,,,,
35,3,,105010-11230,, "SCREW, VALVE",3,3,,,,,,,,,,,,,
36,3,,26756-060002,, "LOCK NUT 6",3,3,,,,,,,,,,,,,
36-1,3,,26856-060002,, "NUT M 6",3,3,,,,,N,, "E/# C8483", "E/# D3532",,,,,,
37,2,,119620-11260,, "SUPPORT, ROCKER ARM",3,3,,,,,,,,,,,,,
38,2,,119620-11280,, "SPRING",2,2,,,,,,,,,,,,,
39,2,,22242-000120,, "CIRCLIP 12",2,2,,,,,,,,,,,,,
40,2,,26979-050162,, "SCREW M 5X16",1,1,,,,,,,,,,,,,
41,1,,119620-11350,, "STUD",2,2,,,,,,,,,,,,,
42,1,,26106-080452,, "BOLT M 8X 45 PLATED",1,1,,,,,,,,,,,,,
43,1,,26366-080002,, "NUT M 8",2,2,,,,,,,,,,,,,
44,1,,124160-11360,, "KNOB",2,2,,,,,,,,,,,,,
45,1,,119620-11330,, "BONNET ASSY, (NON-ASB)",1,1,,,,,,,,,,,,,
47,2,,119620-11390,, "JOINT",1,1,,,,,,,,,,,,,
47-1,2,,118400-03060,, "JOINT, BREATHER",1,1,,,,,R,, "E/# C8483", "E/#D6066",,,,,,
48,2,,119620-03020,, "PLATE, SHELTER",1,1,,,,,,,,,,,,,
49,2,,119620-03031,, "GASKET, (NON-ASB.)",1,1,,,,,,,,,,,,,
50,2,,22217-050000,, "SPRING WASHER 5",4,4,,,,,Z,, "E/# C8483", "E/#D3151",,,,,,
51,2,,26557-050102,, "SCREW M 5X 10",4,4,,,,,,,,,,,,,
51-1,2,,22857-500100,, "SCREW 5X10,TAPPING",4,4,,,,,R,, "E/#
C8483", "E/#D3151",,,,,,
52,2,,119620-11310,, "GASKET, BONNET",1,1,,,,,A,,,,,,,,,,,,,
53,2,,124160-01751,, "CAP, LUB.OIL SUPPLY",1,1,,,,,,,,,,,,,
54,2,,24311-000320,, "O-RING 1A P-32.0",1,1,,,,,A,,,,,,,,,,,,,
55,1,,23065-120700,, "PIPE 12X 700",1,1,,,,,,,,,,,,,
56,1,,24311-000120,, "O-RING 1A P 12.0",2,2,,,,,A,,,,,,,,,,,,,
57,1,,129155-77801,, "PLUG, GLOW",3,3,,,,,,,,,,,,,
58,1,,119620-77820,, "CONNECTOR, GLOW PLUG",1,1,,,,,,,,,,,,,

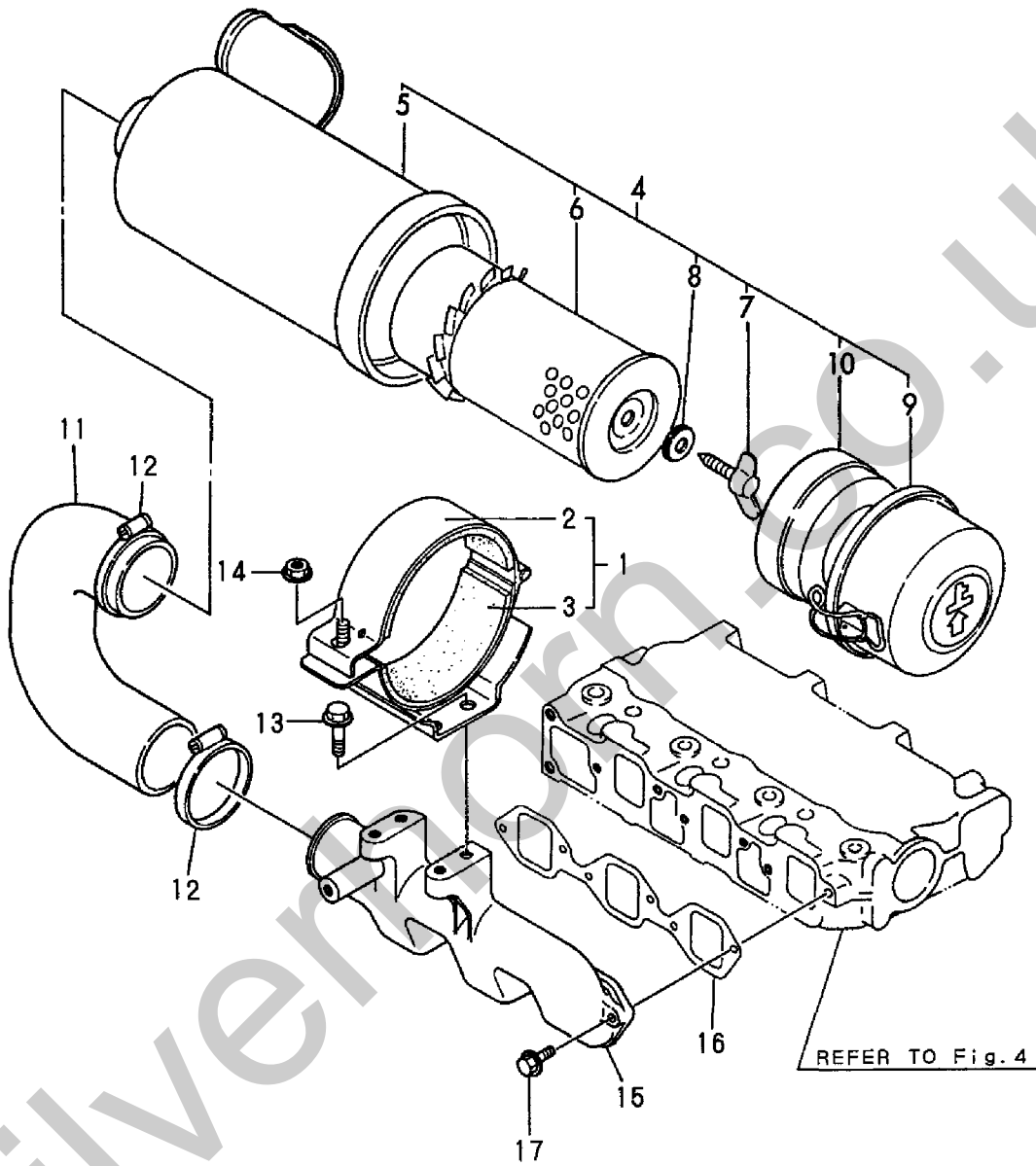
Fig. 4 シリンダヘッド&ボンネット
CYLINDER HEAD & BONNET



1,1,,119632-12590,, "SUPPORT, AIR CLEANER",1,1,,,,,,,,,,,,,
2,2,,119632-12560,, "SUPPORT, AIR CLEANER",1,1,,,,,,,,,,,,,
3,2,,119640-12580,, "FELT, SUPPORT",2,2,,,,,,,,,,,,,
4,1,,119631-12600,, "CLEANER,AIR",1,1,,,,,,,,,,,,,
5,2,,121465-12650,, CASE,1,1,,,,,,,,,,,,,
6,2,,121465-12510,, "ELEMENT, AIR CLEANER",1,1,,,,,,,,,,,,,
7,2,,124064-12680,, "BOLT, WING",1,1,,,,,,,,,,,,,
8,2,,124064-12690,, WASHER,1,1,,,,,,,,,,,,,
9,2,,121465-12660,, "DUST PAN",1,1,,,,,,,,,,,,,
10,2,,121465-12700,, RETAINER,1,1,,,,,,,,,,,,,
11,1,,119631-12650,, "PIPE, AIR INTAKE",1,1,,,,,,,,,,,,,
12,1,,23000-060000,, "CLAMP 60",2,2,,,,,,,,,,,,,
13,1,,26014-080202,, "BOLT M 8X 20",4,4,,,,,,,,,,,,,
14,1,,26366-080002,, "NUT M 8",1,1,,,,,,,,,,,,,
15,1,,119645-12100,, "MANIFOLD, AIR INTAKE",1,1,,,,,,,,,,,,,
16,1,,119620-12111,, "GASKET, (NON-ASB.)",1,1,,,,,A,,,,,
17,1,,26106-060202,, "BOLT M 6X 20 PLATED",6,6,,,,,,,,,,,,,

Silverhorn.CO.UK

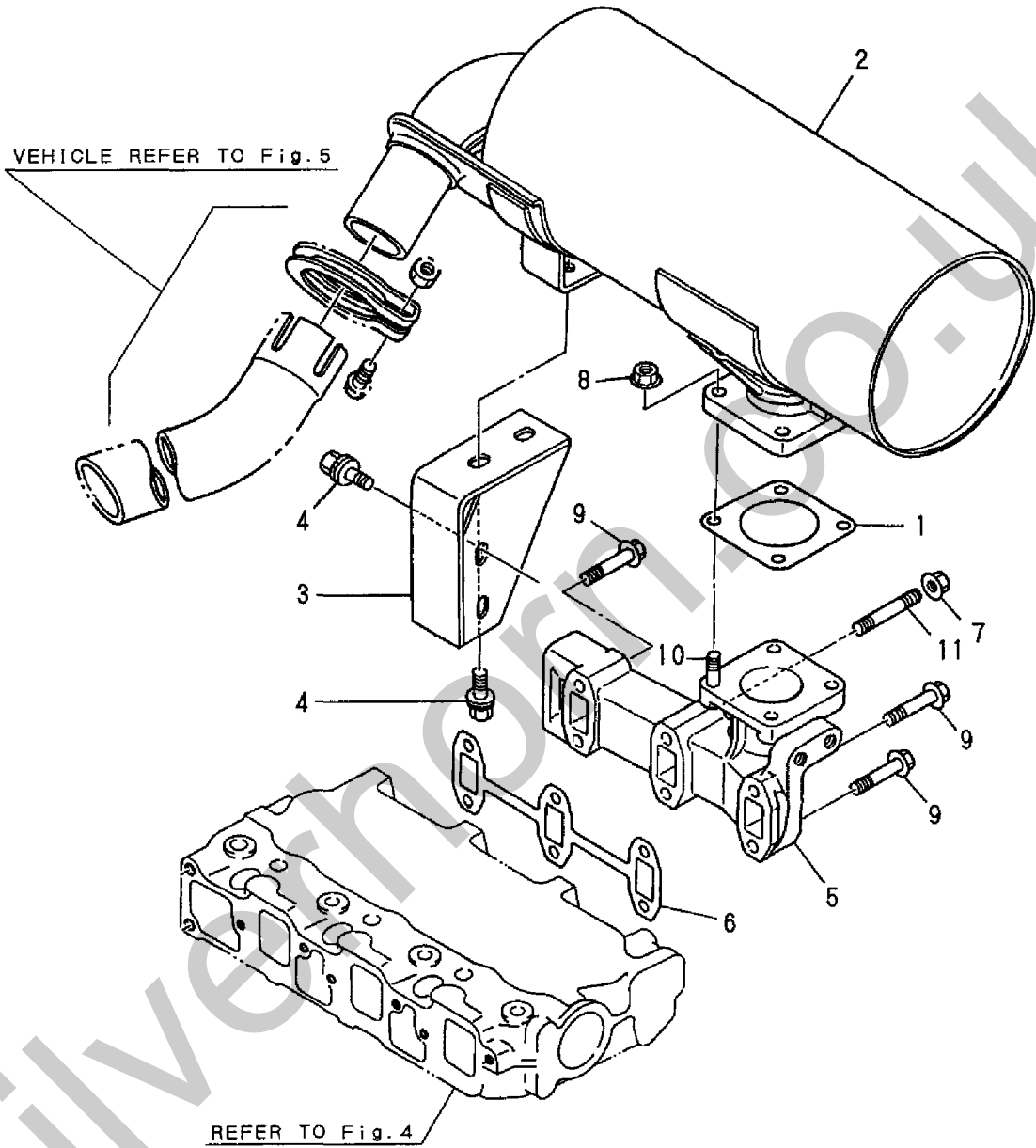
Fig. 5 吸気マニホールド&エアクリーナ
SUC. MANIFOLD & AIR CLEANER



1,1,,124701-11911,, "GASKET, (NON-ASB.)",1,1,,,,,A,,,,,
2,1,,119631-13500,, SILENCER,1,1,,,,,
3,1,,119631-13650,, "STAY, SILENCER",1,1,,,,,
4,1,,26014-080202,, "BOLT M 8X 20",4,4,,,,,
5,1,,119631-13101,, "MANIFOLD, EXHAUST",1,1,,,,,
6,1,,119620-13110,, "GASKET, EXH.MANIFOLD",1,1,,,,,A,,,,,
7,1,,194990-22050,, "NUT W/WASHER 8",2,2,,,,,
7-1,1,,26366-080002,, "NUT M 8",2,2,,,,,R,,,"E/# C8483",,"E/# D6064",,,,,,
8,1,,194990-22050,, "NUT W/WASHER 8",4,4,,,,,
8-1,1,,26366-080002,, "NUT M 8",4,4,,,,,R,,,"E/# C8483",,"E/# D6064",,,,,,
9,1,,26106-080402,, "BOLT M 8X 40 PLATED",4,4,,,,,
10,1,,26216-080222,, "STUD M 8X 22 PLATED",4,4,,,,,
10-1,1,,119131-18320,, "BOLT M 8X 22",4,4,,,,,N,,,"E/# C8483",,"E/# D3151",,,,,,
11,1,,26216-080552,, "STUD M 8X 55 PLATED",2,2,,,,,

Silverhorn.CO.UK

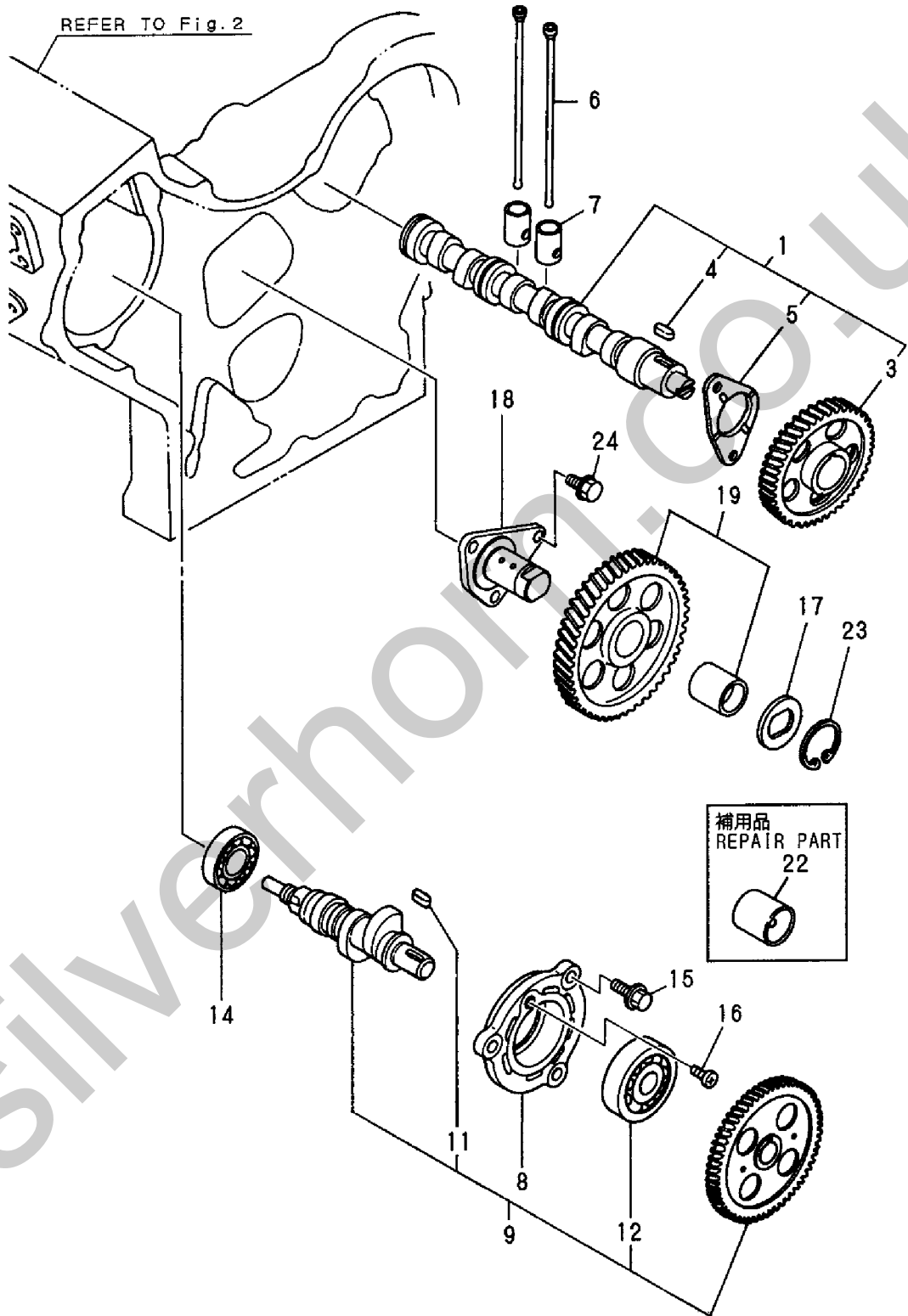
Fig. 6 排気マニホールド&サイレンサ
EXH. MANIFOLD & SILENCER



1,1,,119629-14580,, "CAMSHAFT ASSY",1,1,,,,,,,,,,,,,
3,2,,119620-14100,, "GEAR, CAMSHAFT",1,1,,,,,,,,,,,,,
4,2,,22512-040120,, "KEY 4X 12",1,1,,,,,,,,,,,,,
5,2,,119620-02450,, "BEARING, THRUST",1,1,,,,,,,,,,,,,
6,1,,119620-14401,, "ROD, PUSH",6,6,,,,,,,,,,,,,
7,1,,119620-14200,, TAPPET,6,6,,,,,,,,,,,,,
8,1,,119660-01821,, "BEARING, FUEL CAM.",1,1,,,,,,,,,,,,,
9,1,,719660-14590,, "CAM ASSY, F.I. PUMP",1,1,,,,,,,,,,,,,
11,2,,22512-040120,, "KEY 4X 12",1,1,,,,,,,,,,,,,
12,1,,24102-063034,, "BALL BEARING 6303U",1,1,,,,,,,,,,,,,
14,1,,24101-062034,, "BALL BEARING",1,1,,,,,,,,,,,,,
15,1,,26106-060162,, "BOLT M 6X 16 PLATED",3,3,,,,,,,,,,,,,
16,1,,26587-080102,, "SCREW M 8X 10",1,1,,,,,,,,,,,,,
17,1,,119660-25022,, "RETAINER, IDLE GEAR",1,1,,,,,,,,,,,,,
18,1,,119660-25052,, "SHAFT, IDLE GEAR",1,1,,,,,,,,,,,,,
19,1,,119620-25102,, "GEAR W/BUSH, IDLE",1,1,,,,,,,,,,,,,
22,1,,119620-25912,, BUSH,1,1,,,,,1,,,,,,,,,,,,,
23,1,,22242-000200,, "CIRCLIP 20",1,1,,,,,,,,,,,,,
24,1,,26106-060122,, "BOLT M 6X 12 PLATED",3,3,,,,,,,,,,,,,

Silverhorn.CO.UK

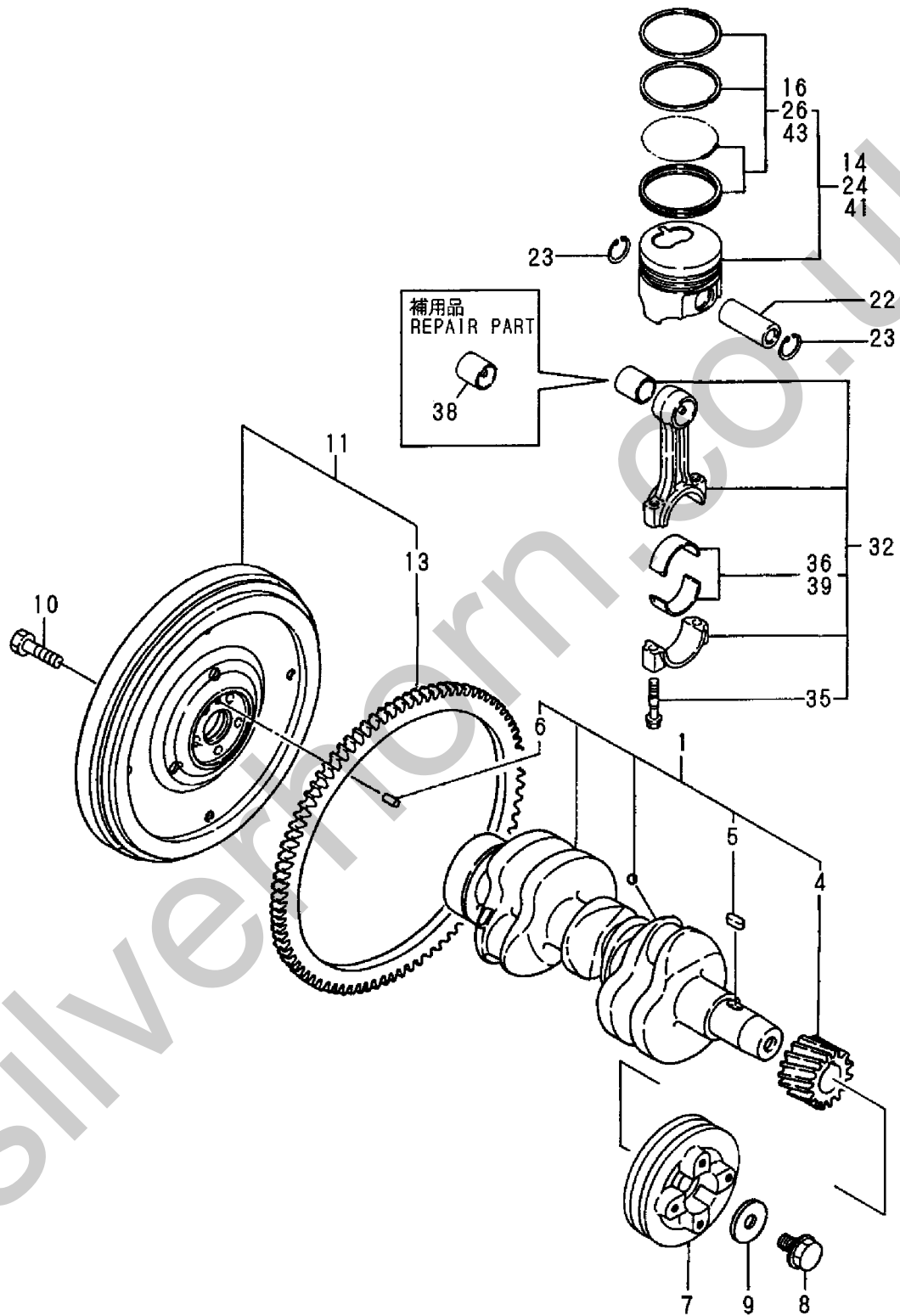
Fig. 7 カムシャフト & 駆動ギヤ
CAMSHAFT & DRIVING GEAR



1,1,,719660-21700,, "CRANKSHAFT ASSY",1,1,,,,,,,,,,,,,
 4,2,,119644-21200,, CRANKGEAR,1,1,,,,,,,,,,,,,
 5,2,,22512-040120,, "KEY 4X 12",1,1,,,,,,,,,,,,,
 6,2,,129100-01580,, "PARALLEL PIN 8X16",1,1,,,,,,,,,,,,,
 7,1,,119660-21651,, V-PULLEY,1,1,,,,,,,,,,,,,
 8,1,,119621-21680,, "BOLT M12X1.25,FLANGE",1,1,,,,,,,,,,,,,
 9,1,,119620-21941,, WASHER,1,1,,,,,,,,,,,,,
 10,1,,121111-21501,, "BOLT, FLYWHEEL",5,5,,,,,,,,,,,,,
 11,1,,119631-21590,, "FLYWHEEL ASSY",1,1,,,,,,,,,,,,,
 13,2,,119865-21600,, "GEAR, RING",1,1,,,,,,,,,,,,,
 14,1,,119620-22090,, "PISTON W/RINGS",3,3,,,,,,,,,,,,,
 16,2,,719620-22500,, "RING SET",3,3,,,,,,,,,,,,,
 22,1,,119620-22300,, "PIN, PISTON",3,3,,,,,,,,,,,,,
 23,1,,22252-000210,, "CIRCLIP 21",6,6,,,,,,,,,,,,,
 24,1,,119620-22900,, "PISTON W/RING OS=.25",3,3,,,,,1,,,,,
 26,2,,119620-22950,, "RING SET O.S=0.25",3,3,,,,,1,,,,,
 32,1,,719620-23100,, "ROD ASSY, CONNECTING",3,3,,,,,,,,,,,,,
 35,2,,105225-23200,, "BOLT, ROD",6,6,,,,,,,,,,,,,
 36,2,,719620-23600,, "BEARING, CRANKPIN",3,3,,,,,,,,,,,,,
 38,1,,119620-23910,, "BUSH, PISTON PIN",3,3,,,,,2,,,,,
 39,1,,719620-23610,, "BEARING,PIN U.S=0.25",3,3,,,,,3,,,,,
 41,1,,119620-22920,, "PISTON W/RING OS=0.5",3,3,,,,,4,,,,,
 43,2,,119620-22970,, "RING SET O.S=0.5",3,3,,,,,4,,,,,

Silverhorn.CO.UK

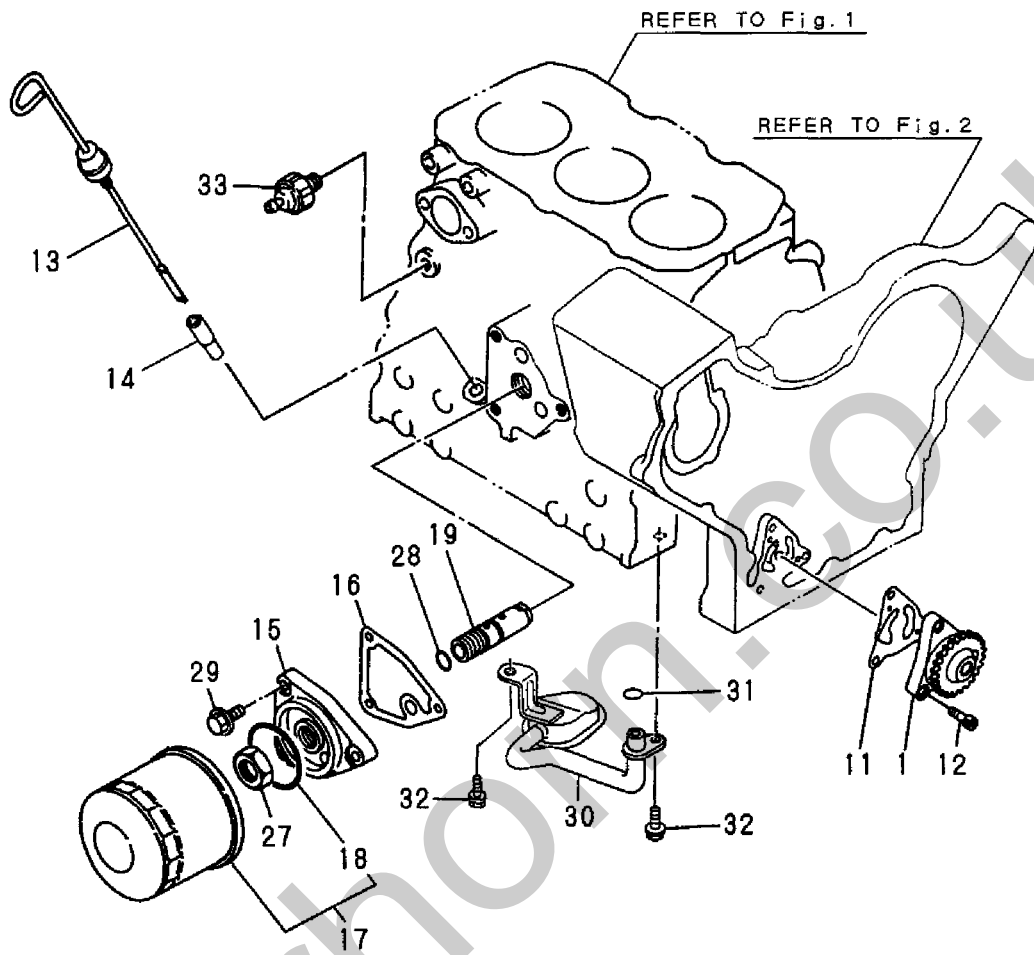
Fig. 8 クランクシャフト&ピストン
CRANKSHAFT & PISTON



1,1,,119660-32001,, "PUMP ASSY, LUB. OIL",1,1,,,,,,,,,,,,,
11,1,,119660-32020,, "GASKET, L.O.PUMP",1,1,,,,,,,,,,,,,
12,1,,26450-060202,, "BOLT M 6X 20",3,3,,,,,,,,,,,,,
13,1,,119631-34800,, "DIPSTICK, LUB. OIL",1,1,,,,,,,,,,,,,
14,1,,121520-34810,, "GUIDE, DIPSTICK",1,1,,,,,,,,,,,,,
15,1,,119660-35102,, "BRACKET, OIL FILTER",1,1,,,,,,,,,,,,,
16,1,,119660-35113,, "GASKET, (NON-ASB.)",1,1,,,,,,,,,,,,,
17,1,,119660-35150,, "FILTER, LUB. OIL",1,1,,,,,,,,,,,,,
18,2,,124450-35110,, "O-RING, L.O.STRAINER",1,1,,,,,,,,,,,,,
19,1,,119660-35300,, "VALVE ASSY,OIL PRESS",1,1,,,,,,,,,,,,,
27,1,,129150-35350,, NUT,1,1,,,,,,,,,,,,,
28,1,,24311-000160,, "O-RING 1A P-16.0",1,1,,,,,,,,,,,,,
29,1,,26106-080202,, "BOLT M 8X 20 PLATED",3,3,,,,,,,,,,,,,
30,1,,119600-35081,, "PIPE ASSY, LUB.OIL",1,1,,,,,,,,,,,,,
30-1,1,,119623-35080,, "PIPE ASSY, LUB. OIL",1,1,,,,,N,, "FROM 1ST",,"FROM
1ST",,,,,,
31,1,,119209-35030,, O-RING,1,1,,,,,,,,,,,,,
32,1,,26106-060102,, "BOLT M 6X 10 PLATED",2,2,,,,,,,,,,,,,
33,1,,124160-39450,, "SWITCH, OIL PRESSURE",1,1,,,,,,,,,,,,,

Silverhorn.CO.UK

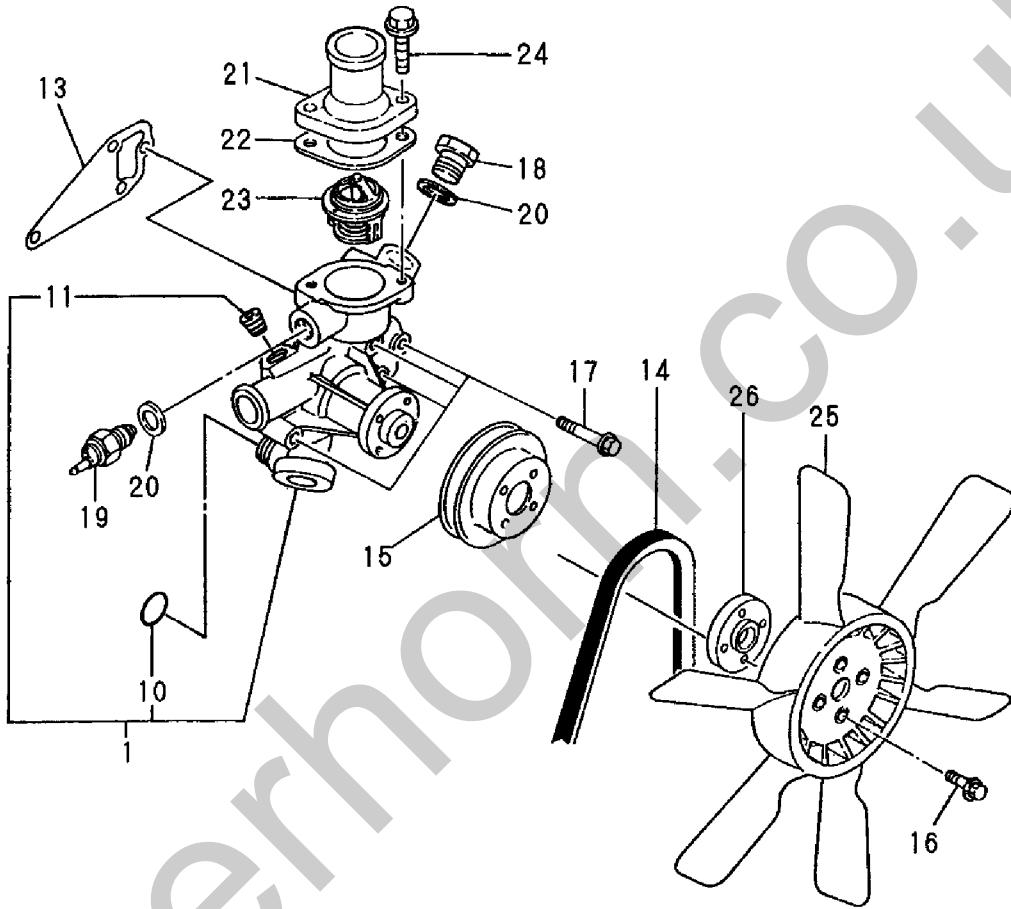
Fig. 9 潤滑油システム
LUB. OIL SYSTEM



1,1,,119660-42005,, "PUMP ASSY, C.WATER",1,1,,,,,,,,,,,,,
10,2,,119620-42320,, O-RING,1,1,,,,,,,,,,,,,
11,2,,23871-030000,, "PLUG PT3/8,SCREW",1,1,,,,,,,,,,,,,
13,1,,119620-42020,, "GASKET, C.W. PUMP",1,1,,,,,A,,,,,
14,1,,119640-42290,, "V-BELT FM=36.5",1,1,,,,,,,,,,,,,
15,1,,119656-42350,, "V-PULLEY, C.W. PUMP",1,1,,,,,,,,,,,,,
16,1,,26014-060252,, "BOLT M 6X 25",4,4,,,,,,,,,,,,,
17,1,,26106-080452,, "BOLT M 8X 45 PLATED",4,4,,,,,,,,,,,,,
18,1,,121450-42450,, "PLUG M16",1,1,,,,,,,,,,,,,
19,1,,121250-44901,, "SWITCH, THERMO(110 β C",1,1,,,,,,,,,,,,,
20,1,,124465-44950,, "GASKET 16",2,2,,,,,,,,,,,,,
21,1,,129350-49530,, "COVER, THERMOSTAT",1,1,,,,,,,,,,,,,
22,1,,129350-49541,, "GASKET, (NON-ASB.)",1,1,,,,,,,,,,,,,
23,1,,129350-49800,, "THERMOSTAT (71 β C",1,1,,,,,,,,,,,,,
24,1,,26106-080202,, "BOLT M 8X 20 PLATED",2,2,,,,,,,,,,,,,
25,1,,119620-44741,, "FAN D310",1,1,,,,,,,,,,,,,
26,1,,124574-44761,, SPACER,1,1,,,,,,,,,,,,,

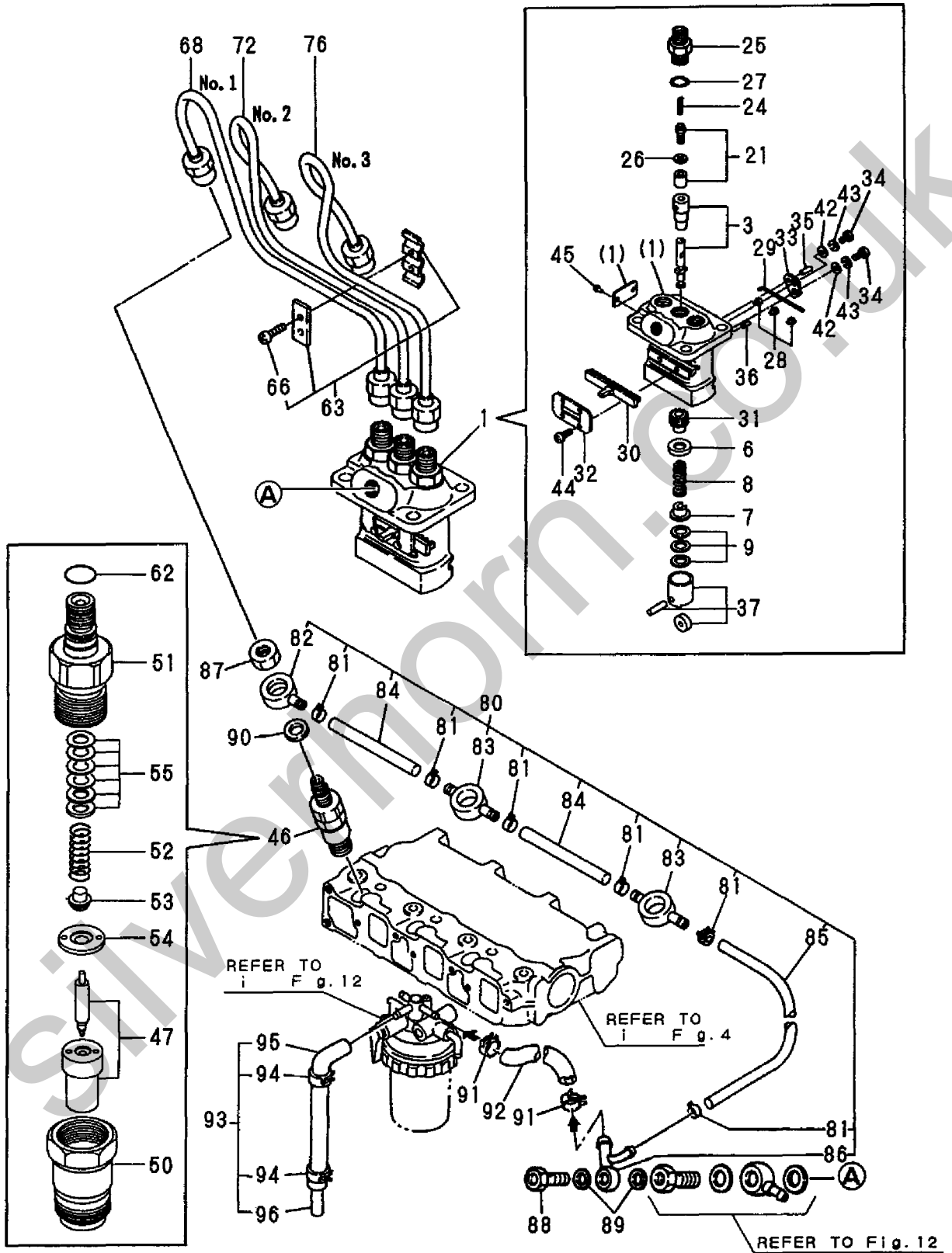
Silverhorn.CO.UK

Fig. 10 冷却水システム
COOLING WATER SYSTEM



1,1,,719621-51100,, "PUMP ASSY, F.INJECT.",1,1,
3,2,,119620-51101,, "PLUNGER W/BARREL",3,3,
6,2,,119620-51170,, "RETAINER",3,3,
7,2,,119620-51180,, "RETAINER",3,3,
8,2,,119620-51190,, "SPRING, PLUNGER",3,3,
9,2,,119620-51250,, "SHIM PACK",3,3,
21,2,,119620-51300,, "VALVE W/SEAT, DELIV.",3,3,
24,2,,105546-51330,, "SPRING, DELIV. VALVE",3,3,
25,2,,119620-51340,, "HOLDER, DELIV. VALVE",3,3,
26,2,,119620-51350,, "GASKET, DELIVERY",3,3,
27,2,,119620-51370,, "O-RING",3,3,
28,2,,119620-51450,, "GUIDE, PLUNGER",3,3,
29,2,,119620-51461,, "PIN",1,1,
30,2,,119660-51500,, "RACK",1,1,
31,2,,119620-51510,, "PINION",3,3,
32,2,,119660-51530,, "RETAINER, RACK",1,1,
33,2,,119620-51650,, "PLATE",2,2,
34,2,,119620-51660,, "SCREW",2,2,
35,2,,119620-51670,, "PIN",2,2,
36,2,,119620-51680,, "PIN",1,1,
37,2,,119620-51700,, "TAPPET ASSY",3,3,
42,2,,22137-040000,, "WASHER 4, POLISHED",2,2,
43,2,,22217-040000,, "SPRING WASHER 4",2,2,
44,2,,26022-040082,, "SCREW M 4X 8",4,4,
45,2,,26587-040102,, "SCREW M 4X 10",2,2,
46,1,,719620-53100,, "VALVE ASSY, F.INJECT",3,3,
47,2,,119620-53000,, "NOZZLE ASSY,F.INJECT",3,3,
50,2,,119620-53080,, "NUT, VALVE W/CASE",3,3,
51,2,,119620-53100,, "HOLDER, VALVE W/CASE",3,3,
52,2,,119620-53120,, "SPRING, VALVE",3,3,
53,2,,114250-53130,, "SEAT, NOZZLE SPRING",3,3,
54,2,,119620-53140,, "SPACER, VALVE STOP",3,3,
55,2,,114250-53400,, "SHIM PACK",3,3,
62,2,,129155-61830,, "O-RING S10",3,3,
63,1,,129150-59120,, "RETAINER, INJ. PIPE",1,1,
66,2,,129150-59131,, "BOLT M4X14,HEX.SCKT.",2,2,
68,1,,119620-59811,, "PIPE (1),FUEL INJECT",1,1,
72,1,,119620-59821,, "PIPE (2),FUEL INJECT",1,1,
76,1,,119620-59831,, "PIPE (3),FUEL INJECT",1,1,
80,1,,119642-59540,, "PIPE ASSY, FUEL OVER",1,1,
81,2,,124066-59100,, "CLAMP 8",6,6,
82,2,,119260-59520,, "JOINT (B)",1,1,
83,2,,119260-59530,, "JOINT (A)",2,2,
84,2,,105025-59550,, "PIPE, FUEL RETURN",2,2,
85,2,,119642-59550,, "PIPE, FUEL RETURN",1,1,
86,2,,119642-59570,, "JOINT,OVER FLOW PIPE",1,1,
87,1,,119620-59700,, "NUT",3,3,
88,1,,124550-59820,, "BOLT 8, PIPE JOINT",1,1,
89,1,,23414-080012,, "GASKET 8",2,2,
90,1,,23414-140000,, "GASKET 14, ROUND",3,3,
91,1,,124766-59050,, "CLAMP 12",2,2,
92,1,,121250-59080,, "PIPE, FUEL OIL",1,1,
93,1,,119840-59601,, "BEND ASSY",1,1,
94,2,,124766-59050,, "CLAMP 12",2,2,
95,2,,119840-59611,, "BEND, RETURN",1,1,
96,2,,119840-59621,, "JOINT",1,1,

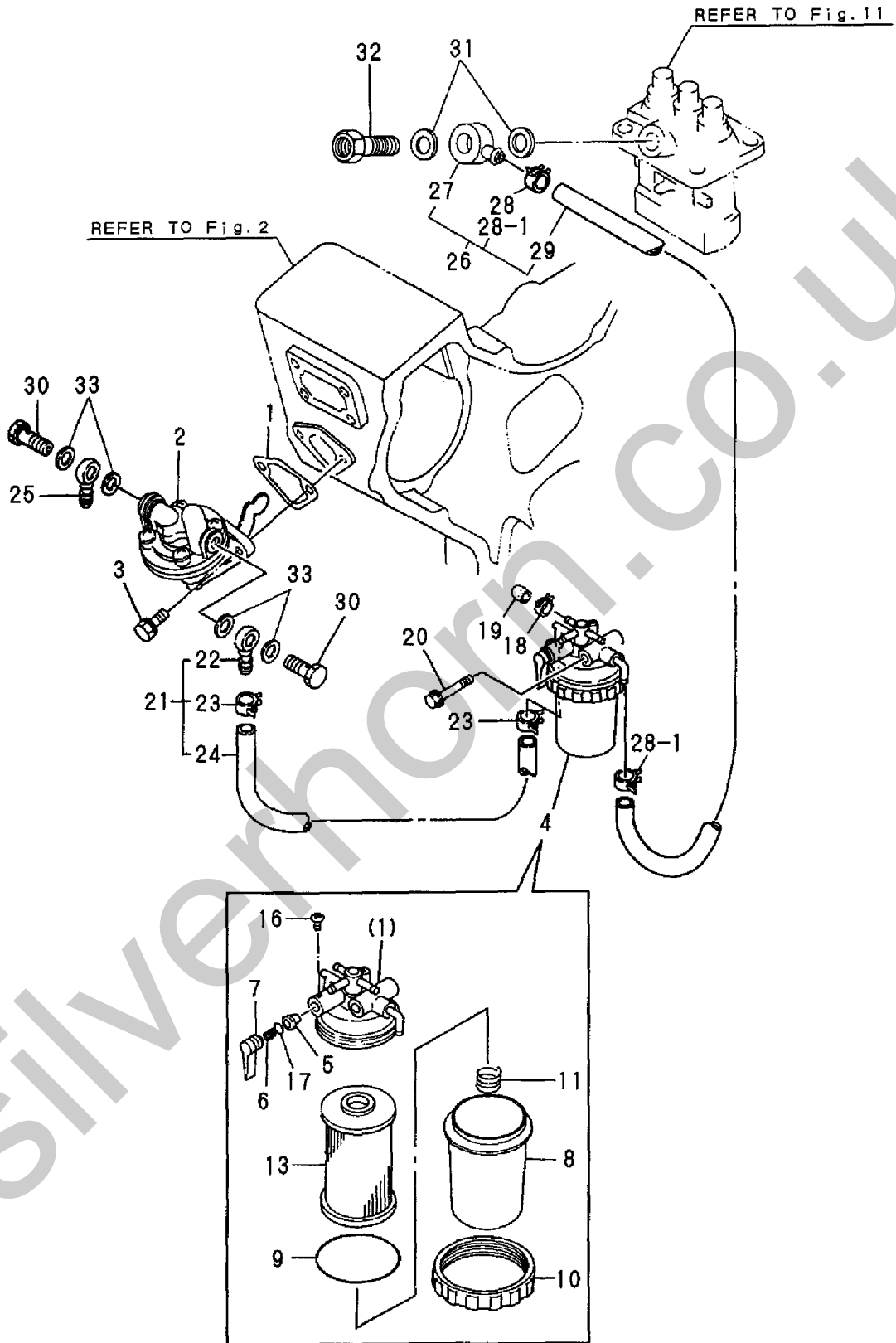
Fig. 11 燃料噴射装置 FUEL INJECTION DEVICE



1,1,,121520-01851,, "GASKET, (NON-ASB.)",1,1,,,,,,,,,,,,,
 2,1,,119600-52021,, "PUMP ASSY, FUEL FEED",1,1,,,,,,,,,,,,,
 3,1,,26014-060202,, "BOLT M 6X 20",2,2,,,,,,,,,,,,,
 4,1,,119632-55620,, "STRAINER ASSY, F.O.",1,1,,,,,,,,,,,,,
 5,2,,104200-55321,, "VALVE, TAPER",1,1,,,,,,,,,,,,,
 6,2,,104200-55330,, "SPRING, TAPER VALVE",1,1,,,,,,,,,,,,,
 7,2,,119810-55340,, "LEVER",1,1,,,,,,,,,,,,,
 8,2,,121254-55510,, "CUP, STRAINER",1,1,,,,,,,,,,,,,
 9,2,,102103-55520,, "O-RING",1,1,,,,,,,,,,,,,
 10,2,,110250-55610,, "RING, RETAINING",1,1,,,,,,,,,,,,,
 11,2,,121250-55620,, "SPRING",1,1,,,,,,,,,,,,,
 13,2,,124550-55700,, "T.TNE(2TR22",1,1,,,,,,,,,,,,,
 16,2,,104200-55750,, "SCREW M 4",1,1,,,,,,,,,,,,,
 17,2,,24311-240100,, "O-RING 1A P-10A",1,1,,,,,,,,,,,,,
 18,1,,124066-59100,, "CLAMP 8",1,1,,,,,,,,,,,,,
 19,1,,129150-59580,, "CAP",1,1,,,,,,,,,,,,,
 20,1,,26014-080702,, "BOLT W/WASHER M8X 70",1,1,,,,,,,,,,,,,
 21,1,,119260-59020,, "PIPE,FUEL (D12XL400)",1,1,,,,,,,,,,,,,
 22,2,,104264-59030,, "JOINT 8, PIPE",1,1,,,,,,,,,,,,,
 23,2,,124766-59050,, "CLAMP 12",2,2,,,,,,,,,,,,,
 24,2,,121236-59080,, "PIPE,FUEL (D12XL400)",1,1,,,,,,,,,,,,,
 25,1,,104264-59030,, "JOINT 8, PIPE",1,1,,,,,,,,,,,,,
 26,1,,124767-59031,, "PIPE ASSY, FUEL OIL",1,1,,,,,,,,,,,,,
 26-1,1,,119260-59031,, "PIPE W/JOINT, FUEL",1,1,,,,,N,, "E/# C8483",,"E/#
 D6064",,,,,,
 27,2,,101304-59020,, "JOINT 12, PIPE",1,1,,,,,,,,,,,,,
 28,2,,124766-59050,, "CLAMP 12",1,1,,,,,,,,,,,,,
 28-1,2,,124766-59050,, "CLAMP 12",2,2,,,,,K,, "E/# C8483",,"E/# D6064",,,,,,
 29,2,,124767-59080,, "PIPE, F.O.",1,1,,,,,,,,,,,,,
 30,1,,105582-59150,, "BOLT, PIPE JOINT",2,2,,,,,,,,,,,,,
 31,1,,104200-59170,, "GASKET 12",2,2,,,,,,,,,,,,,
 32,1,,119650-59200,, "BOLT 12, PIPE JOINT",1,1,,,,,,,,,,,,,
 33,1,,22190-080002,, "SEAL WASHER 8S",4,4,,,,,,,,,,,,,

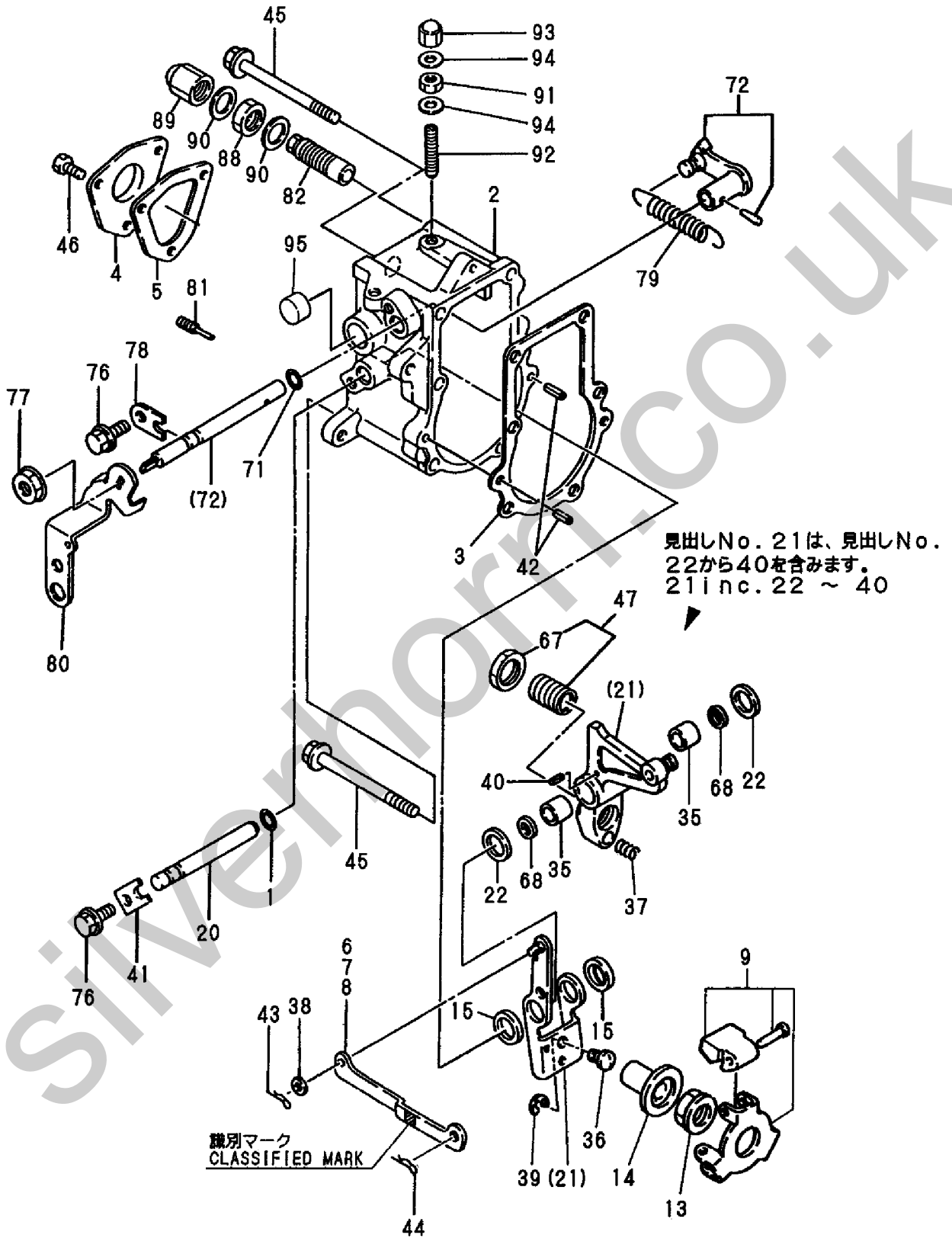


Fig. 12 燃料パイプ
FUEL PIPE



1,1,,129155-51280,, "O-RING S6",1,1,,,,,,,,,,,,,,,,,,,,,
2,1,,119660-61013,, "CASE, GOVERNOR",1,1,,,,,,,,,,,,,,,,,,,,,
3,1,,119660-61052,, "GASKET, (NON-ASB.)",1,1,,,,,,,,,,,,,,,,,,,,,
4,1,,119660-61060,, "COVER, GOVERNOR CASE",1,1,,,,,,,,,,,,,,,,,,,,,
5,1,,119660-61071,, "GASKET, (NON-ASB.)",1,1,,,,,,,,,,,,,,,,,,,,,
6,1,,119660-61121,, "LINK L=88.8(NO COLOR",1,1,,,,,1,,,,,,,,,,,,,
7,1,,119660-61140,, "LINK L=88.6(WHITE)",1,1,,,,,1,,,,,,,,,,,,,
8,1,,119660-61150,, "LINK L=89.0(RED)",1,1,,,,,1,,,,,,,,,,,,,
9,1,,119600-61200,, "WEIGHT ASSY, GOV.",1,1,,,,,,,,,,,,,,,,,,,,,
13,1,,119660-61300,, "NUT, GOVERNOR WEIGHT",1,1,,,,,,,,,,,,,,,,,,,,,
14,1,,119660-61341,, "SLEEVE, GOVERNOR",1,1,,,,,,,,,,,,,,,,,,,,,
15,1,,129155-61480,, "SPACER ASSY",2,2,,,,,,,,,,,,,,,,,,,,,
20,1,,119660-61491,, "SHAFT,GOVERNOR LEVER",1,1,,,,,,,,,,,,,,,,,,,,,
21,1,,119656-61500,, "LEVER ASSY, GOVERNOR",1,1,,,,,,,,,,,,,,,,,,,,,
22,2,,174307-51700,, "SHIM SET",2,2,,,,,,,,,,,,,,,,,,,,,
35,2,,121450-61520,, "NEEDLE BEARING FJ810",2,2,,,,,,,,,,,,,,,,,,,,,
36,2,,119600-61541,, "SHIFTER,P.T.O.",1,1,,,,,,,,,,,,,,,,,,,,,
37,2,,119660-61651,, "SPRING, STARTING",1,1,,,,,,,,,,,,,,,,,,,,,
38,2,,22117-040000,, "WASHER 4",1,1,,,,,,,,,,,,,,,,,,,,,
39,2,,22272-000040,, "CIRCLIP E- 4",1,1,,,,,,,,,,,,,,,,,,,,,
40,2,,22351-030014,, "SPRING PIN 3X14",1,1,,,,,,,,,,,,,,,,,,,,,
41,1,,119660-61901,, "RETAINER, SHAFT",1,1,,,,,,,,,,,,,,,,,,,,,
42,1,,22351-040010,, "SPRING PIN 4X10",2,2,,,,,,,,,,,,,,,,,,,,,
43,1,,22360-040000,, "SNAP PIN 4",1,1,,,,,,,,,,,,,,,,,,,,,
44,1,,22360-060000,, "SNAP PIN 6",1,1,,,,,,,,,,,,,,,,,,,,,
45,1,,26106-060702,, "BOLT M 6X 70 PLATED",6,6,,,,,,,,,,,,,,,,,,,,,
46,1,,26116-050102,, "BOLT M 5X 10 PLATED",3,3,,,,,,,,,,,,,,,,,,,,,
47,1,,119610-66700,, "ANGLEICH ASSY",1,1,,,,,,,,,,,,,,,,,,,,,
67,2,,129155-61590,, "NUT",1,1,,,,,,,,,,,,,,,,,,,,,
68,1,,119660-61460,, "SHIM SET",1,1,,,,,,,,,,,,,,,,,,,,,
71,1,,24341-000070,, "O-RING 1A S-7.0",1,1,,,,,,,,,,,,,,,,,,,,,
72,1,,119621-66091,, "SHAFT ASSY",1,1,,,,,,,,,,,,,,,,,,,,,
76,1,,26106-060102,, "BOLT M 6X 10 PLATED",2,2,,,,,,,,,,,,,,,,,,,,,
77,1,,194990-22050,, "NUT W/WASHER 8",1,1,,,,,,,,,,,,,,,,,,,,,
78,1,,119600-61900,, "RETAINER, SHAFT",1,1,,,,,,,,,,,,,,,,,,,,,
79,1,,119600-66020,, "SPRING, REGULATOR",1,1,,,,,,,,,,,,,,,,,,,,,
80,1,,119640-66051,, "HANDLE, REGULATOR",1,1,,,,,,,,,,,,,,,,,,,,,
81,1,,124250-03640,, "SCREW, STOP",1,1,,,,,,,,,,,,,,,,,,,,,
82,1,,119600-66530,, "TORQUE SPRING ASSY",1,1,,,,,,,,,,,,,,,,,,,,,
88,1,,26776-120002,, "LOCK NUT M12 PLATED",1,1,,,,,,,,,,,,,,,,,,,,,
89,1,,129100-61930,, "NUT, CAP",1,1,,,,,,,,,,,,,,,,,,,,,
90,1,,22190-120002,, "SEAL WASHER 12",2,2,,,,,,,,,,,,,,,,,,,,,
91,1,,124550-66370,, "LOCK NUT M 6",1,1,,,,,,,,,,,,,,,,,,,,,
92,1,,121575-66830,, "SCREW, ADJUST",1,1,,,,,,,,,,,,,,,,,,,,,
93,1,,119600-66840,, "NUT, CAP",1,1,,,,,,,,,,,,,,,,,,,,,
94,1,,22190-060003,, "SEAL WASER 6",2,2,,,,,,,,,,,,,,,,,,,,,
95,1,,119640-61400,, "PLUG",1,1,,,,,,,,,,,,,,,,,,,,,

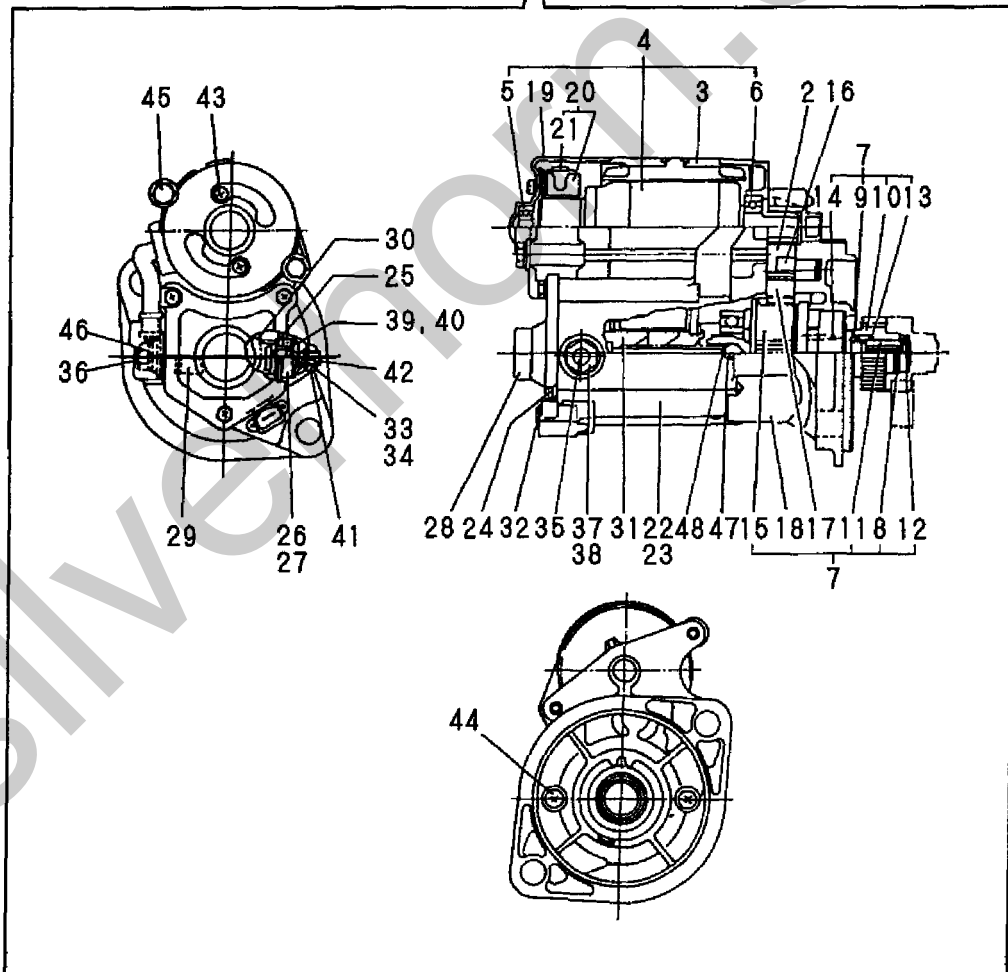
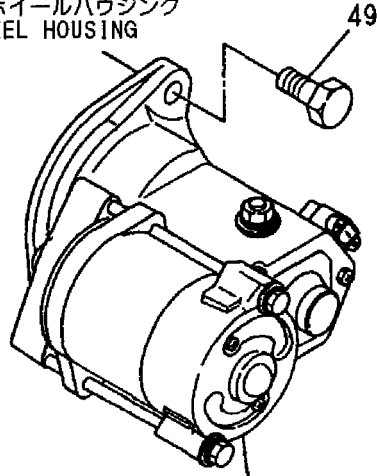
Fig. 13 ガバナ GOVERNOR



1,1,,119620-77011,, "STARTER 12V-1.0W",1,1,,,,,,,,,,,,,
2,2,,X0280630011,,RETAINER,1,1,,,,,,,,,,,,,
3,2,,X0281003751,, "YOKE ASSY",1,1,,,,,,,,,,,,,
4,2,,X0282001531,, "ARMATURE ASSY",1,1,,,,,,,,,,,,,
5,3,,X9491001360,,BEARING,1,1,,,,,,,,,,,,,
6,3,,X9491001860,, "BALL BEARING",1,1,,,,,,,,,,,,,
7,2,,X0283005050,, "CLUTCH, STARTER",1,1,,,,,,,,,,,,,
8,3,,X0280210230,,NUT,1,1,,,,,,,,,,,,,
9,3,,X0283270140,,RETAINER,1,1,,,,,,,,,,,,,
10,3,,X0283715030,, "PINION, STARTER",1,1,,,,,,,,,,,,,
11,3,,X0283810040,,SHAFT,1,1,,,,,,,,,,,,,
12,3,,X9490721080,,RING,1,1,,,,,,,,,,,,,
13,3,,X9491703371,, "SPRING, COIL",1,1,,,,,,,,,,,,,
14,3,,X9491704260,,SPRING,1,1,,,,,,,,,,,,,
15,3,,121120-77930,, "CLUTCH ASSY, STARTER",1,1,,,,,,,,,,,,,
16,2,,X0283060061,,ROLLER,5,5,,,,,,,,,,,,,
17,2,,X0283711420,,PINION,1,1,,,,,,,,,,,,,
18,2,,X0284004910,, "HOUSING, STARTER",1,1,,,,,,,,,,,,,
19,2,,X0285040631,, "FRAME ASSY",1,1,,,,,,,,,,,,,
20,2,,X0285100460,, "HOLDER ASSY, BRUSH",1,1,,,,,,,,,,,,,
21,3,,X9491730461,,SPRING,4,4,,,,,,,,,,,,,
22,2,,X0534006460,, "SWITCH, MAGNETIC",1,1,,,,,,,,,,,,,
23,3,,X0534040320,,GASKET,1,1,,,,,,,,,,,,,
24,3,,X0534490120,,BUSH,1,1,,,,,,,,,,,,,
25,3,,X0534490120,,BUSH,1,1,,,,,,,,,,,,,
26,3,,X0534490230,,BUSH,1,1,,,,,,,,,,,,,
27,3,,X0534490230,,BUSH,1,1,,,,,,,,,,,,,
28,3,,X0535050620,,COVER,1,1,,,,,,,,,,,,,
29,3,,X0535130241,, "PLATE (B)",1,1,,,,,,,,,,,,,
30,3,,X0535130320,, "PLATE (A)",1,1,,,,,,,,,,,,,
31,3,,X0536600401,,PLUNGER,1,1,,,,,,,,,,,,,
32,3,,X9151005141,, "BOLT W/WASHER",3,3,,,,,,,,,,,,,
33,3,,X9490170900,,WASHER,1,1,,,,,,,,,,,,,
34,3,,X9490170900,,WASHER,1,1,,,,,,,,,,,,,
35,3,,X9490441303,,BOLT,1,1,,,,,,,,,,,,,
36,3,,X9490441312,,BOLT,1,1,,,,,,,,,,,,,
37,3,,X9490502820,,NUT,1,1,,,,,,,,,,,,,
38,3,,X9490502820,,NUT,1,1,,,,,,,,,,,,,
39,3,,X9491402100,,O-RING,1,1,,,,,,,,,,,,,
40,3,,X9491402100,,O-RING,1,1,,,,,,,,,,,,,
41,2,,X9019008651,,NUT,1,1,,,,,,,,,,,,,
42,2,,X9025808001,,WASHER,1,1,,,,,,,,,,,,,
43,2,,X9490071810,, "SCREW W/WASHER",2,2,,,,,,,,,,,,,
44,2,,X9490071970,, "SCREW W/WASHER",2,2,,,,,,,,,,,,,
45,2,,X9490423330,, "BOLT W/WASHER",2,2,,,,,,,,,,,,,
46,2,,X9490561370,,NUT,1,1,,,,,,,,,,,,,
47,2,,X9491200240,,BALL,1,1,,,,,,,,,,,,,
48,2,,X9491703380,,SPRING,1,1,,,,,,,,,,,,,
49,1,,26116-120252,, "BOLT M12X 25 PLATED",2,2,,,,,,,,,,,,,

Fig. 14 スタートイングモータ
STARTING MOTOR

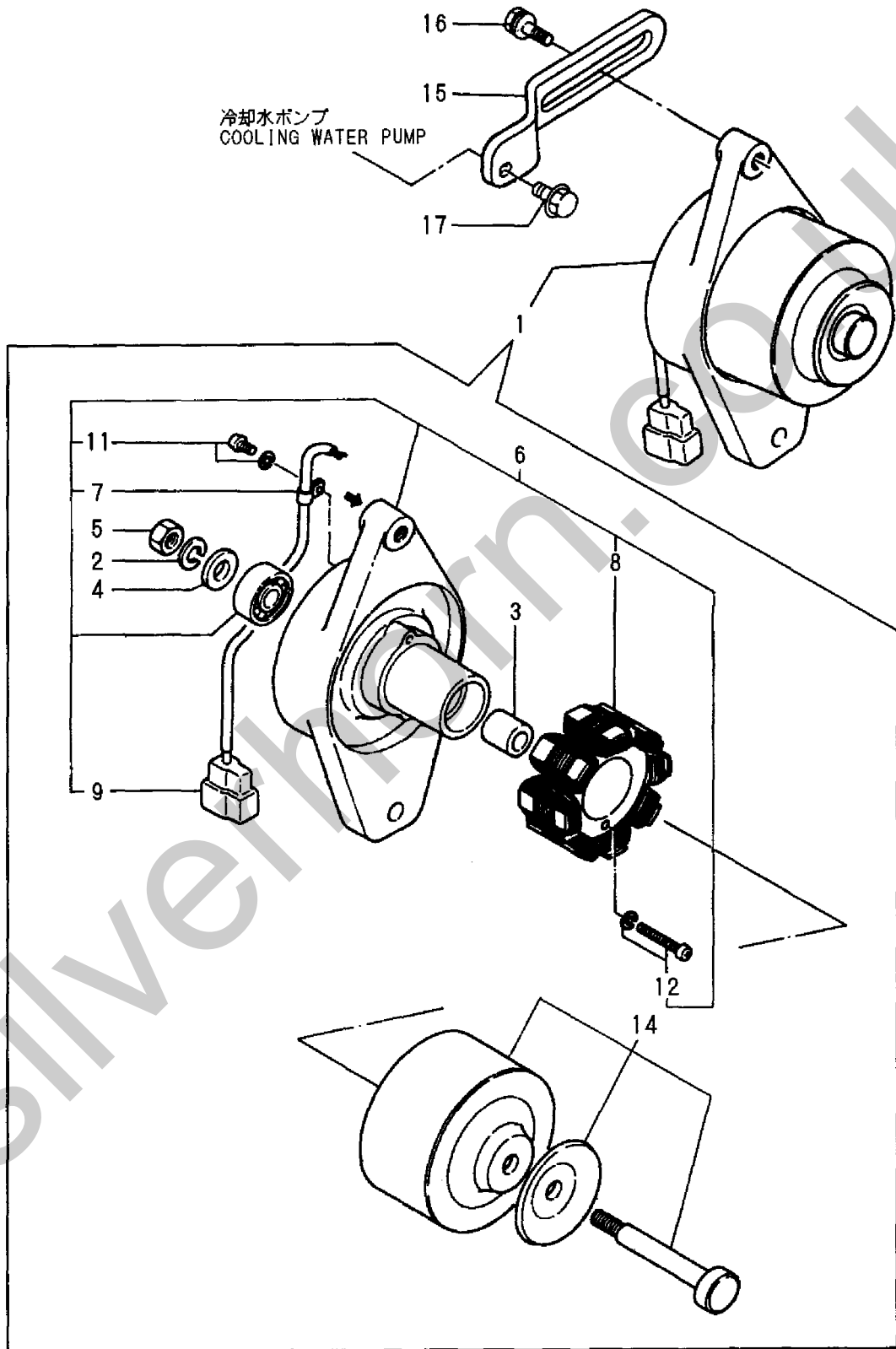
フライホイールハウジング
FLYWHEEL HOUSING



1,1,,129150-77202,,GENERATOR,1,1,,,,,,,,,,,,,
2,2,,XM219230000,, "WASHER, SPRING",1,1,,,,,,,,,,,,,
3,2,,XM329830000,,COLLAR,1,1,,,,,,,,,,,,,
4,2,,XM860250000,, "WASHER 10",1,1,,,,,,,,,,,,,
5,2,,XM863720000,,NUT,1,1,,,,,,,,,,,,,
6,2,,129150-77210,, "PLATE ASSY",1,1,,,,,,,,,,,,,
7,3,,XM069000000,,CLAMP,1,1,,,,,,,,,,,,,
8,3,,XM081780000,,STATOR,1,1,,,,,,,,,,,,,
9,3,,XM178780000,,COUPLER,1,1,,,,,,,,,,,,,
11,3,,XYSPS400800,,SCREW,1,1,,,,,,,,,,,,,
12,3,,XYSPS402400,,SCREW,2,2,,,,,,,,,,,,,
14,2,,129150-77230,, "FLYWHEEL ASSY",1,1,,,,,,,,,,,,,
15,1,,119660-77330,, "ADJUSTER, BELT",1,1,,,,,,,,,,,,,
16,1,,26014-080252,, "BOLT M 8X 25",1,1,,,,,,,,,,,,,
17,1,,26106-080162,, "BOLT M 8X 16 PLATED",1,1,,,,,,,,,,,,,

Silverhorn.CO.UK

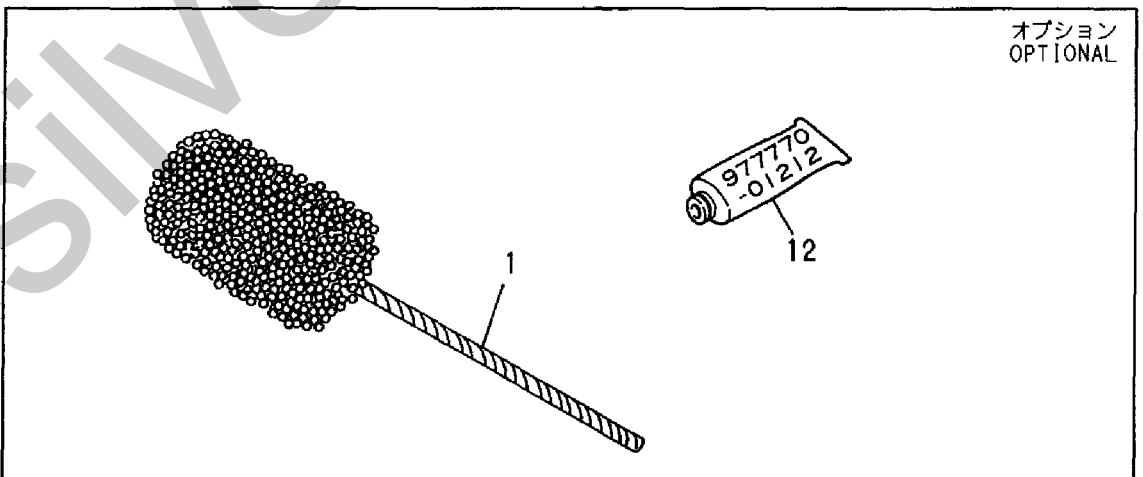
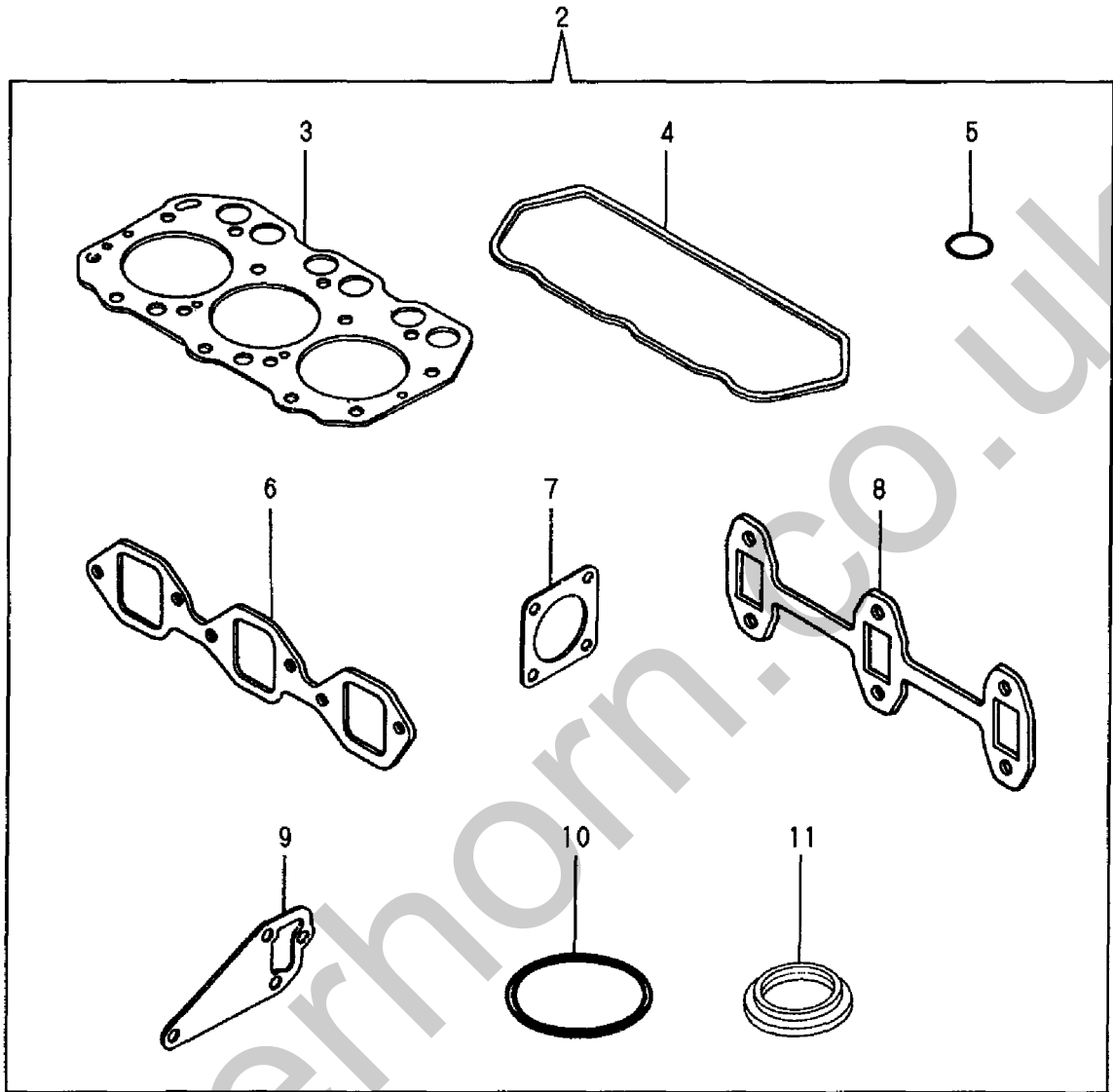
Fig. 15 ジェネレータ
GENERATOR



1,1,,129400-92410,, "FLEX HORN",1,1,,,,,1,,,,,
2,1,,719640-92602,, "GASKET SET(NON-ASB.)",1,1,,,,,1,,,,,
3,2,,119620-01342,, "GASKET, (NON-ASB.)",1,1,,,,,
4,2,,119620-11310,, "GASKET, BONNET",1,1,,,,,
5,2,,24311-000120,, "O-RING 1A P 12.0",2,2,,,,,
6,2,,119620-12111,, "GASKET, (NON-ASB.)",1,1,,,,,
7,2,,124701-11911,, "GASKET, (NON-ASB.)",1,1,,,,,
8,2,,119620-13110,, "GASKET, EXH.MANIFOLD",1,1,,,,,
9,2,,119620-42020,, "GASKET, C.W. PUMP",1,1,,,,,
10,2,,24311-000320,, "O-RING 1A P-32.0",1,1,,,,,
11,2,,22190-220002,, "SEAL WASHER 22S",1,1,,,,,
12,1,,977770-01212,, "GASKET, LIQUID",1,1,,,,,1,,,,,

Silverhorn.CO.UK

Fig. 16 バッキンセット (オプション) & 工具
GASKET SET (OPTIONAL) & TOOL



0,Y00B5881

1,001,, "ENGINE 3TNA72L-UBA,UBB"

2,1,, "CYLINDER BLOCK", 3TNA72L-UBA, 3TNA72L-UBB,,

2,2,, "GEAR HOUSING", 3TNA72L-UBA, 3TNA72L-UBB,,

2,3,, "FLYWHEEL HOUSING & OIL SUMP", 3TNA72L-UBA, 3TNA72L-UBB,,

2,4,, "CYLINDER HEAD & BONNET", 3TNA72L-UBA, 3TNA72L-UBB,,

2,5,, "SUC.MANIFOLD & AIR CLEANER", 3TNA72L-UBA, 3TNA72L-UBB,,

2,6,, "EXH.MANIFOLD & SILENCER", 3TNA72L-UBA, 3TNA72L-UBB,,

2,7,, "CAMSHAFT & DRIVING GEAR", 3TNA72L-UBA, 3TNA72L-UBB,,

2,8,, "CRANKSHAFT & PISTON", 3TNA72L-UBA, 3TNA72L-UBB,,

2,9,, "LUB. OIL SYSTEM", 3TNA72L-UBA, 3TNA72L-UBB,,

2,10,, "COOLING WATER SYSTEM", 3TNA72L-UBA, 3TNA72L-UBB,,

2,11,, "FUEL INJECTION DEVICE", 3TNA72L-UBA, 3TNA72L-UBB,,

2,12,, "FUEL PIPE", 3TNA72L-UBA, 3TNA72L-UBB,,

2,13,, GOVERNOR, 3TNA72L-UBA, 3TNA72L-UBB,,

2,14,, "STARTING MOTOR", 3TNA72L-UBA, 3TNA72L-UBB,,

2,15,, GENERATOR, 3TNA72L-UBA, 3TNA72L-UBB,,

2,16,, "GASKET SET(OPTIONAL) & TOOL", 3TNA72L-UBA, 3TNA72L-UBB,,

Silverhorn.CO.UK